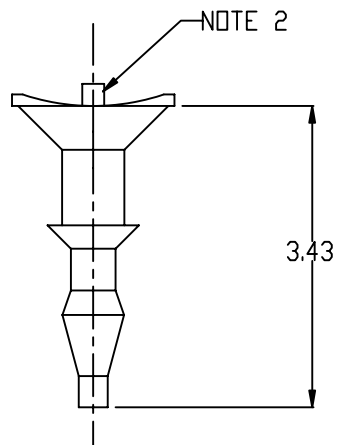
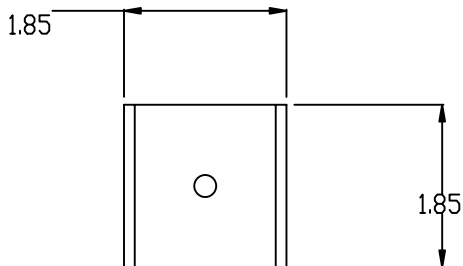


Tous droits strictement reserves. Reproduction ou communication a des tiers interdite sous quelque forme que ce soit sans autorisation ecrite du proprietaire. Propriete de c FCI. Droits de reproduction FCI.

**FCI**

All rights strictly reserved. Reproduction or issue to third parties in any form whatever is not permitted without written authority from the proprietor. Property of FCI. Copyright FCI.

PRODUCT NO.  
65762-001



NOTES:

1. PRESS PLUG INTO PIN LEAD-IN OF HOUSING CAVITY AND BREAK OFF CARRIER.
2. 0.010/0.254 MAX. GATE PROTRUSION WHEN BROKEN FROM CARRIER.
3. MATERIAL: NYLON
4. MOLDED IN GROUPS OF 10 ATTACHED TO CARRIER.
5. THE P/N WITH "LF" SUFFIX IS LEAD FREE PART NUMBER;
6. THE PACKAGING FOR THE LEAD FREE P/N MEETS GS-14-920 SPECIFICATION;
7. FOR LEAD FREE P/N, THE PRODUCT MEETS EUROPEAN UNION DIRECTIVES AND OTHER COUNTRYREGULATION AS DESCRIBED IN GS-22-008;
8. FOR LEAD FREE P/N, THE PART WILL WITHSTAND EXPOSURE TO 260 DEGREE C, FOR 10 SECONDS IN A WAVE SOLDER APPLICATION.

|                                    |           |     |          |  |                    |          |                        |                                  |        |     |
|------------------------------------|-----------|-----|----------|--|--------------------|----------|------------------------|----------------------------------|--------|-----|
| mat'l code<br>NYLON TYPE 6-6 WHITE |           |     |          | tolerances unless<br>otherwise specified |                    | CUSTOMER |                        | <b>FCI</b><br>www.fciconnect.com |        |     |
| ltr                                | ecr no.   | dr  | date     | linear                                   | COPY               |          | projection             | title                            |        |     |
| A                                  | ADD LATCH | DH  | 2-4-76   |  | .XX ± .01 /XX±2    |          |                        | QUICKIE POLARIZING PLUG          |        |     |
| B                                  | APPROVED  | DEW | 2-10-76  | angles                                   | INCH/MM            |          | product family QUICKIE | code                             |        |     |
| C                                  | V00806    | DAI | 4-18-00  |  | .XXX ± .005 /XX±13 |          |                        | size                             |        | NAN |
| D                                  | N05-0329  | DT  | 12/09/05 | 0° ±2°                                   |                    | scale    |                        | sheet                            |        |     |
|                                    |           |     |          | engr                                     | T.EIKENBORDE       | 2-18-91  | 65762                  |                                  | 1 of 1 |     |
|                                    |           |     |          | chr                                      | M.MALTZE           | 2-18-91  | A                      |                                  |        |     |
|                                    |           |     |          | appd                                     | F.WILDING          | 2-18-91  |                        |                                  |        |     |
| sheet index                        | revision  | D   |          |  |                    |          | cage code              |                                  | 22526  |     |
|                                    | sheet     | 1   |          |  |                    |          |                        |                                  |        |     |

Pro/E

cage code 22526

PDM: Rev:D

STATUS:Released

Printed: Feb 19, 2008